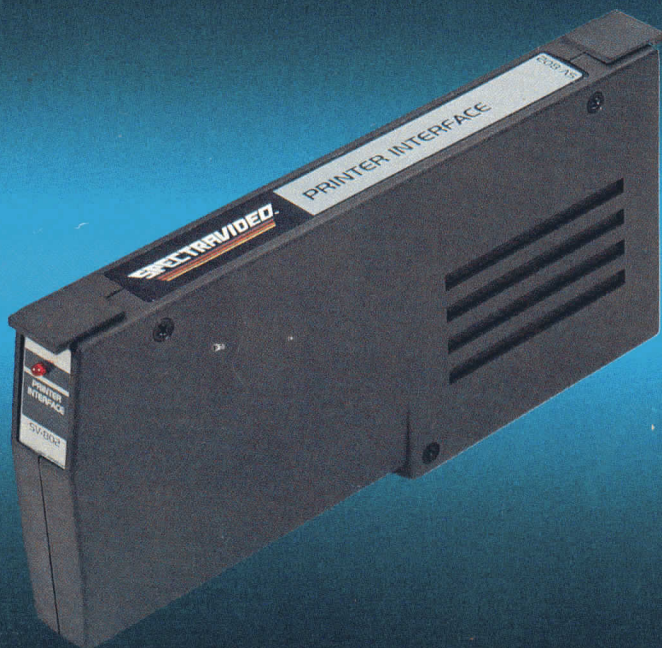


SV-802

CENTRONIC INTERFACE USER'S MANUAL




SPECTRAVIDEO™



SPECTRAVIDEO'S USER'S MANUAL STATEMENT



WARNING



This equipment generates, uses, and can radiate radio frequency energy and if not installed and used in accordance with the instructions manual, may cause interference to radio communications. It has been tested and found to comply with the limits for a Class A computing device pursuant to subpart J of Part 15 of FCC Rules, which are designed to provide reasonable protection against such interference when operated in a commercial environment. Operation of this equipment in a residential area is likely to cause interference in which case the user at his own expense will be required to take whatever measures may be required to correct the interference.

INTRODUCTION

The low cost 318-802 links up any printers operating on standard Centronics Parallel Interface to the 318 system. 318-802 comes in a cartridge form which can be plugged conveniently and directly into the Expander Unit 318-601 or the Adapter 318-602.

Published by
SPECTRAVIDEO INTERNATIONAL LTD.

First Edition
First Printing 1983
Printed in Hong Kong
Copyright © 1983 by Spectravideo International Ltd. All rights reserved

Every effort has been made to supply complete and accurate information in this manual. Spectravideo International Ltd. reserves the right to change Technical Specifications and Characteristics at any time without notice.

No part of this publication may be stored in a retrieval system, transmitted, or reproduced in any way, including but not limited to photocopy photograph magnetic or other record, without the prior agreement and written permission from Spectravideo International Ltd.

SM802/1

SPECTRAVIDEO CENTRONICS INTERFACE SV-802 INSTRUCTION MANUAL

CONTENTS

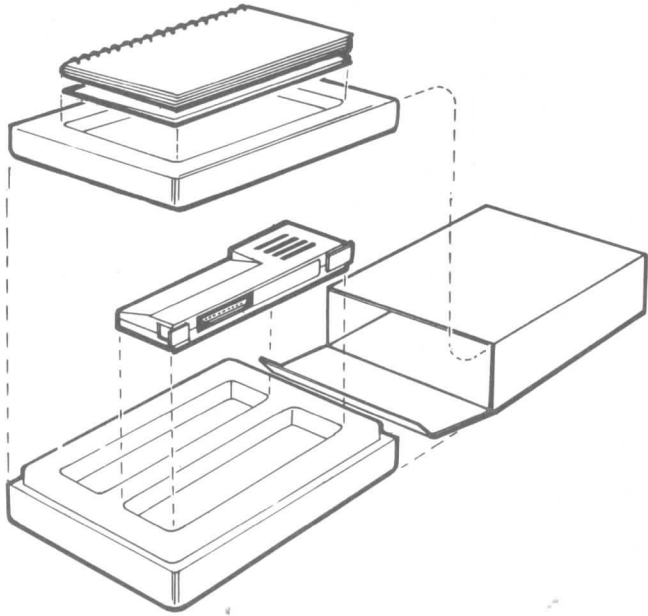
PAGE

1. Accessories	1
2. Main Features	2
3. Connections/Power Supply	2
4. Cautions	3
5. Specifications	3

1. Accessories

The package of the SV802 should contain the following items

- (A) Centronics Interface Card
- (B) This Instruction Manual

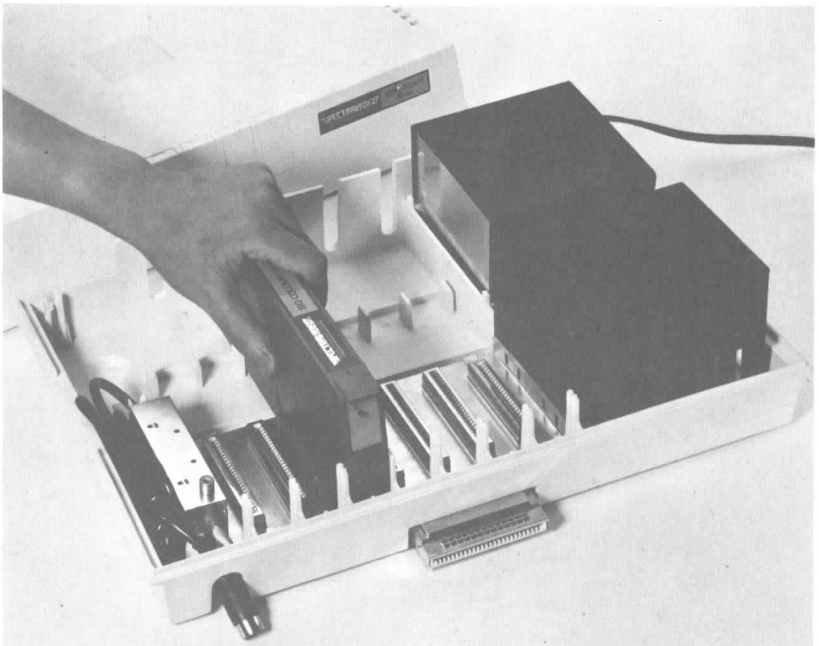


2. Main Features

1. Provides standard Centronics Printer Interface
2. Hooks up any printers operating on Centronics Parallel Interface
3. Compact & stylishly designed in cartridge form
4. Easy plug-in the Expander Unit 318-601 or the Adaptor Unit 318-602
5. Low cost
6. Convenient Power supplied by the Expander Unit 318-601 or the Adaptor Unit 318-602 via 318 Basic Unit
7. Power-on LED indicator

3. Connections/Power Supply

The connection between the Centronics Interface and the Expander is made by simply pushing the cartridge directly down onto any one of the six slots [SK0 — SK6]. However, be sure that the power is OFF before insertion



4. Cautions

Proper caution should be observed when handling the SV901 line printer and its interface card.

- (A) Never remove or insert the centronics interface card or any other peripheral cartridge with the power "ON". This could cause serious damage to your system.
- (B) Never remove the protective casing surrounding the printed circuit board.
- (C) Never bang or drop the cartridge. This can cause ineparable damage to its circuit board.

5. Specifications

Interface	Centronics Parallel
Power Requirements	Supplied by Expander Unit 318-601 or 318
Dimensions (mm)	12(W) × 200(D) × 95(H) in cartridge form to be plugged in Expander Unit 318-601 or Adaptor 318-602

